



# AW-BK901

## Conventional Reflective Beam Detector

### Feature and Benefits

#### EN54-12 Certified

Hassle free alignment, built with digital guide display and laser beam pointing

Employ single-ended design through reflective mirror  
Four ranges wide monitoring from 8-100 meters via encoder

Three users programing sensitivity

adjustment Built-in microprocessor

Self-diagnosis function can monitor for internal faults

Automatic compensation for factors

weakening received signals, such as dust contamination, positional movement and ageing of the transmitter

Fire and Fault interfacing relays

Attractive and pleasing

appearance Real User friendly

alignment method

EN 54-12 1330a-(cl-1)  
0832-CPR-F1301 Y17

### Overview

AW-BK901 Conventional Reflective Beam Detector has built in Laser beam pointing and Digital guide display for real user friendly alignment method. The Laser beam pointing accurately point the exact location where to mount mirror and with additional digital guide display allows to monitor and guide on the actual light intensity between the mirror and detector which cannot be seen by our naked eye making it more easy and convenient in alignment commissioning.

The AW-BK901 has four adjustable operational ranges of between 8 to 20, 20 to 40, 40 to 70 and 70 to 100 meters beside with three adjustable sensitivity setting ranges from 2.6dB, 3.8dB and 5.8dB to meet the specific environmental requirement. The AW-BK901 works on the principle of reflective infrared beam obscuration. Used in conjunction with a reflector, it will notify the fire alarm panel when the infrared beam is obscured by smoke.

The AW-BK901 is ideal for use high ceiling and wide areas such as warehouses, large storages, shopping malls, leisure centres, exhibition halls, hotel lobbies, printing houses, garment factories, museums and prisons, as well as places where slight smoke particles or corrosive gas exi

### ASENWARE LTD.

**Factory Addr:** 4F,10#,Xingye Rd.,Huoju District, Zhongshan City, Guangdong **Marketing Center Addr:** 26H, Building D, Shihong Garden, Fanshen Rd, Baoan, Shenzhen Tel:+86-755-27663815 Fax: +86-755-27663915 [www.asenware.com](http://www.asenware.com)

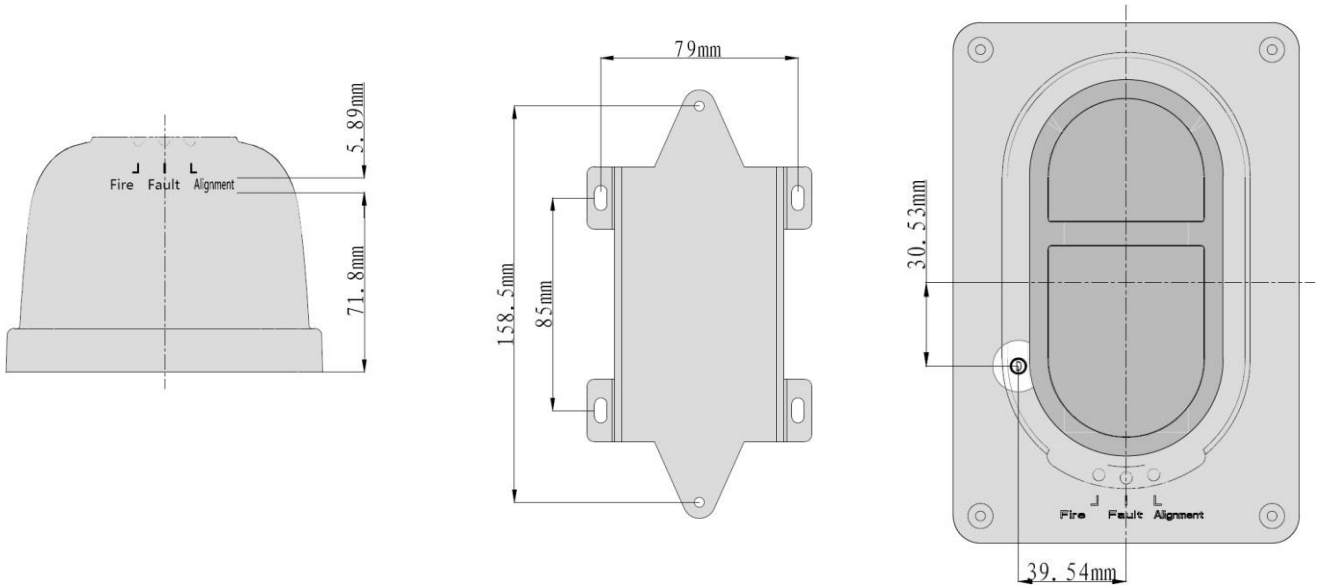
**Technical Specification**

<b>Part Number</b>	<b>AW-BK901</b>
<b>Standard</b>	
Listed	LPCB / CE-CPR
Compliance	EN54-12:2002
Fire Detection and Alarm Systems	BS 5839 Part 1:2002
<b>Specification</b>	
Operating Voltage	20 V to 28 V DC
Current Parameters	Standby:23mA Commission:56mA Alarm:33mA
Beam Sensor Sensitivity [via Encoder]	Level 1: 2.6 dB High Sensitivity
	Level 2: 3.8 dB Medium Sensitivity
	Level 3: 5.8 dB Low Sensitivity
Beam Pathway Length [via Encoder]	Span 1: 8 to 20 meters Short Path (1x mirror reflector required)
	Span 2: 20 to 40 meters Short Path (1x mirror reflector required)
	Span 3: 40 to 70 meters Normal Path (4x mirror reflector required)
	Span 4: 70 to 100 meters Long Path (4x mirror reflector required)
Beam Path Angle	±0.5° Directional
Alignment Guide	Laser Beam Pointer
Digital Display Guide	Nixie Tube
LED Indicator Guide	Red: Fire; Yellow: Fault; Green: Alignment
Reset Time	Less than 2 Second (Power Cut)
Relay Capacity [Fire & Fault]	Normally Open/ 2.0 A; 30 VDC
<b>Physical</b>	
Material / Colour	ABS / White
Dimension / Weight	L:190.87 x W:126.87 x H:91.96 mm / 440 gm
Weight	0.130 Kg with base
<b>Accessories</b>	Mounting Bracket/ AW-BK901-R 4 x Mirror Reflector
<b>Environmental</b>	
Operating Temperature / Protection Rating	-10°C to 55°C / IP30 [IP66 glue seal-For permanent fixing]
Humidity	0 to 95% Relative Humidity, Non condensing

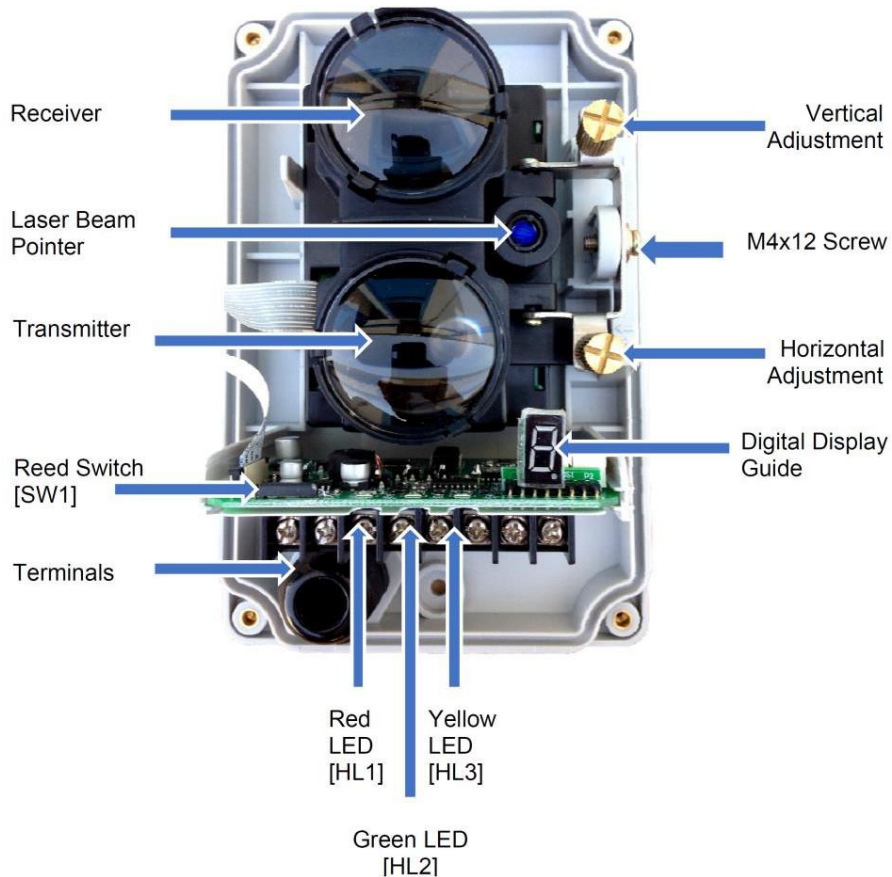
**ASENWARE LTD.**

**Factory Addr:** 4F,10#,Xingye Rd.,Huoju District, Zhongshan City, Guangdong **Marketing Center Addr:** 26H, Building D, Shihong Garden, Fanshen Rd, Baoan, Shenzhen Tel:+86-755-27663815 Fax: +86-755-27663915 [www.asenware.com](http://www.asenware.com)

**Mounting Details**



**Names and Locations**



**ASENWARE LTD.**

**Factory Addr:** 4F,10#,Xingye Rd.,Huoju District, Zhongshan City, Guangdong **Marketing Center Addr:** 26H, Building D, Shihong Garden, Fanshen Rd, Baoan, Shenzhen Tel:+86-755-27663815 Fax: +86-755-27663915 [www.asenware.com](http://www.asenware.com)